

MODEL W1799
2¹/₄ GALLON
PAINT TANK



OWNER'S MANUAL

Phone: (360) 734-3482 · Online Technical Support: tech-support@shopfox.biz

COPYRIGHT © JUNE, 2007 BY WOODSTOCK INTERNATIONAL, INC. REVISED SEPTEMBER, 2014 (ST)
WARNING: NO PORTION OF THIS MANUAL MAY BE REPRODUCED IN ANY SHAPE OR FORM WITHOUT
THE WRITTEN APPROVAL OF WOODSTOCK INTERNATIONAL, INC.

#9632BL Printed in China

 **WARNING!**

This manual provides critical safety instructions on the proper setup, operation, maintenance, and service of this machine/tool. Save this document, refer to it often, and use it to instruct other operators.

Failure to read, understand and follow the instructions in this manual may result in fire or serious personal injury—including amputation, electrocution, or death.

The owner of this machine/tool is solely responsible for its safe use. This responsibility includes but is not limited to proper installation in a safe environment, personnel training and usage authorization, proper inspection and maintenance, manual availability and comprehension, application of safety devices, cutting/sanding/grinding tool integrity, and the usage of personal protective equipment.

The manufacturer will not be held liable for injury or property damage from negligence, improper training, machine modifications or misuse.

 **WARNING!**

Some dust created by power sanding, sawing, grinding, drilling, and other construction activities contains chemicals known to the State of California to cause cancer, birth defects or other reproductive harm. Some examples of these chemicals are:

- Lead from lead-based paints.
- Crystalline silica from bricks, cement and other masonry products.
- Arsenic and chromium from chemically-treated lumber.

Your risk from these exposures varies, depending on how often you do this type of work. To reduce your exposure to these chemicals: Work in a well ventilated area, and work with approved safety equipment, such as those dust masks that are specially designed to filter out microscopic particles.

SAFETY

WARNING

For Your Own Safety Read Instruction Manual Before Operating This Equipment

The purpose of safety symbols is to attract your attention to possible hazardous conditions. This manual uses a series of symbols and signal words which are intended to convey the level of importance of the safety messages. The progression of symbols is described below. Remember that safety messages by themselves do not eliminate danger and are not a substitute for proper accident prevention measures.

DANGER

Indicates an imminently hazardous situation which, if not avoided, **WILL** result in death or serious injury.

WARNING

Indicates a potentially hazardous situation which, if not avoided, **COULD** result in death or serious injury.

CAUTION

Indicates a potentially hazardous situation which, if not avoided, **MAY** result in minor or moderate injury. It may also be used to alert against unsafe practices.

NOTICE

This symbol is used to alert the user to useful information about proper operation of the equipment.

WARNING

Safety Instructions for Pneumatic Tools

1. **KEEP ALL SAFETY DEVICES IN PLACE** and in working order.
2. **REMOVE ADJUSTING KEYS AND WRENCHES.** Form habit of checking to see that keys and adjusting wrenches are removed from tool before operation.
3. **KEEP WORK AREA CLEAN.** Cluttered areas and benches invite accidents.
4. **DO NOT USE IN DANGEROUS ENVIRONMENT.** Do not use pneumatic tools in damp or wet locations, or where any flammable or noxious fumes may exist. Keep work area well lighted.
5. **KEEP CHILDREN AND VISITORS AWAY.** All children and visitors should be kept at a safe distance from work area.
6. **MAKE WORKSHOP CHILD PROOF** by locking your shop and shutting off air valves.
7. **DO NOT FORCE TOOL.** It will do the job better and safer at the rate for which it was designed.
8. **USE THE RIGHT TOOL.** Do not force tool or attachment to do a job for which it was not designed.
9. **DO NOT USE UNDER THE INFLUENCE OF DRUGS OR ALCOHOL.**

WARNING

Safety Instructions for Pneumatic Tools

10. **USE PROPER AIR HOSE** for the tool. Make sure your air hose is in good condition and is long enough to reach your work without stretching.
11. **WEAR PROPER APPAREL.** Do not wear loose clothing, gloves, neckties, rings, bracelets, or other jewelry which may get caught in moving parts. Non-slip footwear is recommended. Wear a protective hair covering to contain long hair.
12. **ALWAYS USE SAFETY GLASSES.** Also use a face or dust mask if cutting operation is dusty. Everyday eyeglasses only have impact resistant lenses, they are NOT safety glasses.
13. **WEAR APPROVED HEARING PROTECTION.** Air escaping from pneumatic tools can exceed safe exposure limits and may cause hearing damage with prolonged exposure.
14. **SECURE WORK.** Use clamps or a vise to hold work when practical. It is safer than using your hand and frees both hands to operate tool.
15. **MAINTAIN TOOLS WITH CARE.** Keep tools lubricated and clean for best and safest performance. Follow instructions for lubricating and changing accessories.
16. **REDUCE THE RISK OF UNINTENTIONAL FIRING.** Do not carry tool with hand on trigger and always disconnect from air when not in use.
17. **DISCONNECT TOOLS** before servicing, changing accessories, or moving to another location.
18. **DO NOT OVERREACH.** Keep proper footing/balance at all times.
19. **USE THE RECOMMENDED ACCESSORIES.** Consult owner's manual for recommended accessories. The use of improper accessories may cause risk of injury.
20. **CHECK FOR DAMAGED PARTS BEFORE USING.** Check for binding and alignment of parts, broken parts, part mounting, loose bolts, and any other conditions that may affect machine operation. Repair or replace damaged parts.
21. **NEVER LEAVE UNATTENDED TOOL CONNECTED TO AIR.** Disconnect the air hose and do not leave tool until it is relieved of any built up pressure.
22. **NEVER ALLOW UNTRAINED USERS TO USE THIS TOOL WHILE UNSUPERVISED.**
23. **IF YOU ARE UNSURE OF THE INTENDED OPERATION, STOP USING TOOL.** Seek formal training or research books or magazines that specialize in pneumatic tools.
24. **BE AWARE OF HOSE LOCATION WHEN USING PNEUMATIC TOOLS.** Hoses can easily become a tripping hazard when laid across the floor or spread out in a disorganized fashion.

WARNING

Additional Safety Instructions for Paint Tanks

1. **READ THIS MANUAL.** This manual contains proper operating instructions for this spray gun.
2. **DESIGN MODIFICATIONS.** Do not modify the tank design or construction. Drilling into the tank or weld attachments, or altering its design, could weaken the tank.
3. **CLEANING AND MAINTENANCE.** Clean and dry the tank and lid according to the instructions in this manual. Make sure all ports are free of hardened paint or other materials that could prevent free movement of air. Improper cleaning could allow pressure to rise to dangerous levels.
4. **REACTIVE CHEMICALS.** Do not use acids, caustic solutions, or halogenated hydrocarbon solvents. These chemicals can attack the lid gasket and safety valve seal, compromising the ability of the tank to hold pressure.
5. **SAFETY VALVE MODIFICATIONS.** Never adjust the safety valve to change its pressure setting or defeat its function. Tampering with the safety valve could allow tank pressure to rise to dangerous levels.
6. **REMOVING LID.** Do not try to remove the lid while the tank is under pressure, or you could cause an explosion. Follow the instructions in this manual for relieving pressure in the tank before removing the lid.
7. **LID CLAMPS.** Overtightening the lid clamps could cause them to weaken and fail, resulting in the lid propelling violently from the tank. Only tighten the clamps by hand. Do not use tools to tighten them.
8. **NON-STANDARD COMPONENTS.** Substituting non-standard components could weaken the tank or cause component failure. Only use components provided with your tank.
9. **ATTACHMENTS.** Make sure equipment connected to the tank has a higher pressure rating than the regulated air pressure in the tank. Attachments with a pressure rating lower than the adjusted tank pressure could explode, resulting in serious personal injury.

INTRODUCTION

Woodstock Technical Support

This tool has been specially designed to provide many years of trouble-free service. Close attention to detail, ruggedly built parts and a rigid quality control program assure safe and reliable operation.

Woodstock International, Inc. is committed to customer satisfaction. Our intent with this manual is to include the basic information for safety, setup, operation, maintenance, and service of this product.

We stand behind our tools! In the event that questions arise about your tool, please contact Woodstock International Technical Support at (360) 734-3482 or send e-mail to: tech-support@shopfox.biz. Our knowledgeable staff will help you troubleshoot problems and process warranty claims.

If you need the latest edition of this manual, you can download it from <http://www.shopfox.biz>.

If you have comments about this manual, please contact us at:

Woodstock International, Inc.
Attn: Technical Documentation
Manager
P.O. Box 2309
Bellingham, WA 98227
Email: manuals@woodstockint.com

W1799 Specifications

Material Capacity 2 1/2 Gallons
Maximum Operating Pressure 45 PSI
Gun Type HVLP/Conventional
Tank Construction Galvanized Steel

WARNING



Read the manual before operation. Become familiar with this paint tank, its safety instructions, and its operation before beginning any work. Serious personal injury may result if safety or operational information is not understood or followed.

CAUTION

No list of safety guidelines can be complete. Every shop environment is different. Always consider safety first, as it applies to your individual working conditions. Use this and other tools with caution and respect. Failure to do so could result in serious personal injury, damage to equipment or poor work results.

SETUP

Unpacking

This tool has been carefully packaged for safe transportation. If you notice the tool has been damaged during shipping, please contact your authorized Shop Fox dealer immediately.

Inventory

The following is a description of the main components shipped with the Model W1799. Lay the components out to inventory them.

Note: *If you can't find an item on this list, check the mounting location on the tool or examine the packaging materials carefully. Occasionally we pre-install certain components for safer shipping.*

W1799 Inventory (Figure 1)	Qty		Qty
A. 2 ¹ / ₂ Gallon Paint Tank.....	1	C. Regulator Assembly.....	1
B. Lid.....	1	D. Lift Handle.....	1

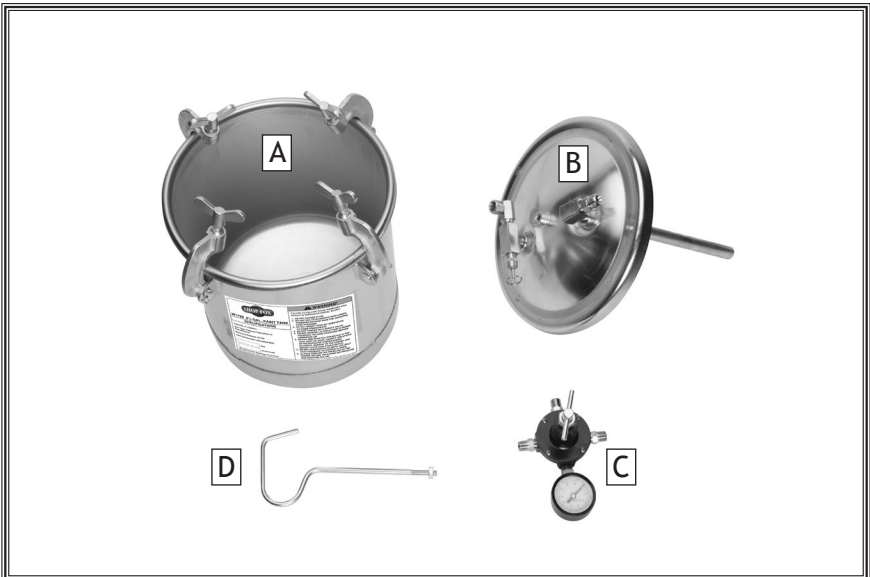


Figure 1. Model W1799 inventory.

Assembly

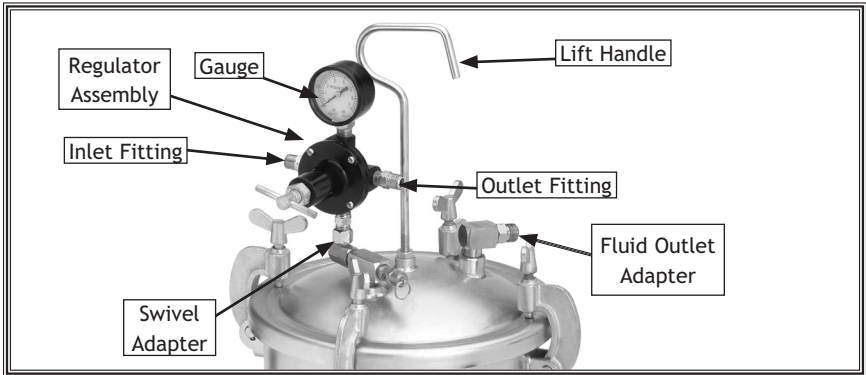


Figure 2. Regulator and lift handle installed on paint tank.

To assemble the paint tank, do these steps:

1. Thread the lift handle into the center hole on the tank lid (see Figure 2) and secure with the hex nut.
2. Thread the regulator assembly onto the swivel adapter on the lid (Figure 2).
3. Connect a 1/4 NPT air supply hose (not included) to the inlet fitting on the regulator.
4. Attach the atomization air hose (not included) to the air outlet fitting opposite the inlet on the regulator.
5. Connect the material hose to the fluid outlet adapter on the tank lid.
6. Install a pressure regulator between the tank regulator T-handle (Figure 3) and the spray gun, since some of the pressurized air from the compressor will bypass the tank regulator.

Figure 3 depicts the paint tank connected to a compressed air system with a filter/regulator unit and a spray gun.

The filter/regulator unit will protect your tool from damaging water build-up, and allow you to adjust and maintain regulated air pressure. If you plan on installing a filter/regulator unit in your compressed air system, always follow the connection instructions that come with the unit.

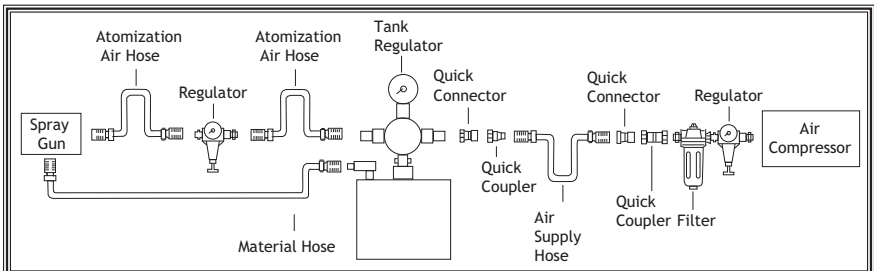


Figure 3. Paint tank connected to air compressor and spray gun.

OPERATIONS

Filling Tank

To use your spray gun, do these steps:

1. Thoroughly mix and strain your paint to remove undissolved particles that could block the flow of material to the gun.
2. Pour paint into the tank; or set a one gallon can of paint in the tank, making sure the fluid tube is seated in the can.
3. Place the lid assembly on the tank and hand tighten the lid clamp wing screws.
4. Turn the regulator T-handle counterclockwise to shut the tank regulator **OFF**.
5. Adjust the air regulators between the air compressor and tank, and between the T-handle and the spray gun, to find the optimum setting within the specified operating range of the spray gun. Start by testing the spray gun at a low setting, then increase the air pressure as needed for satisfactory results.
6. Adjust the paint tank regulator to find the optimum pressure setting for the material. Turn the T-handle clockwise to increase tank pressure or counterclockwise to reduce pressure. Normal operating tank pressure is 25-30 PSI.

WARNING

Do not exceed the 45 PSI maximum operating pressure on your paint tank. Exceeding the maximum pressure may cause the tank to explode, causing serious personal injury.

NOTICE

This pressure tank is not designed for use with highly abrasive, corrosive, or rust inducing materials. If such materials are used, frequently and thoroughly clean all components to reduce the need to replace parts.

Tank Regulator

The pressure regulator on the paint tank controls the amount of pressure applied to the paint in the paint tank. It also controls the pressure of paint delivered to the spay gun.

The following are operating guidelines for internal and external spray guns:

Internal Mix Guns: Use higher tank pressures up to the full amount of air pressure being delivered to the spray gun. However, do not exceed 45 PSI at the spray gun or in the paint tank.

External Mix Guns: Use lower tank pressures—approximately 12 PSI for most external mix guns. Start with the tank at "zero" pressure and increase pressure gradually until the correct spray pattern is achieved.

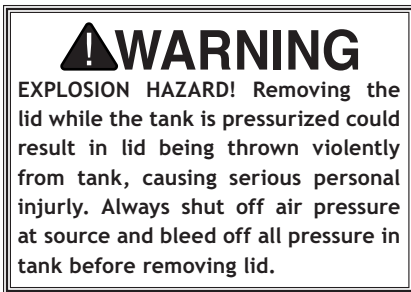
CLEANING & LUBRICATION

Cleaning

Proper cleaning is the best way to ensure trouble free performance from your paint tank. If your tank is not thoroughly cleaned, damage and poor operation will result. Problems caused by improper cleaning will not be covered by the warranty. Clean the tank immediately after each use.

To clean your paint tank, do these steps:

1. DISCONNECT AIR SUPPLY FROM TANK!



2. Bleed out all tank pressure by pulling the ring on the safety valve (Figure 4) until air stops hissing out

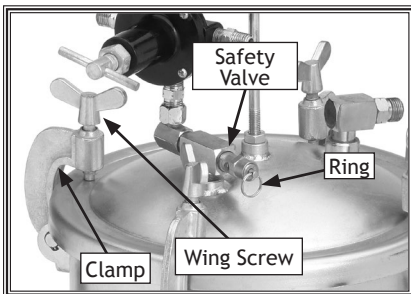


Figure 4. Safety valve ring.

3. Turn the tank regulator T-handle counterclockwise until you feel no spring tension.

4. Loosen the wing screws on the tank lid (Figure 4), tip the clamps back, and tip the tank lid to one side.
5. Loosen the spray gun air cap retaining ring about three turns, then turn **ON** the air supply.
6. Cover the cap with a cloth and pull the trigger to force the material back through the hose and into the tank.
7. Empty and clean the tank of all paint, and fill it with solvent.
8. Replace the lid, tighten the clamps, and spray the gun until it sprays clean solvent.

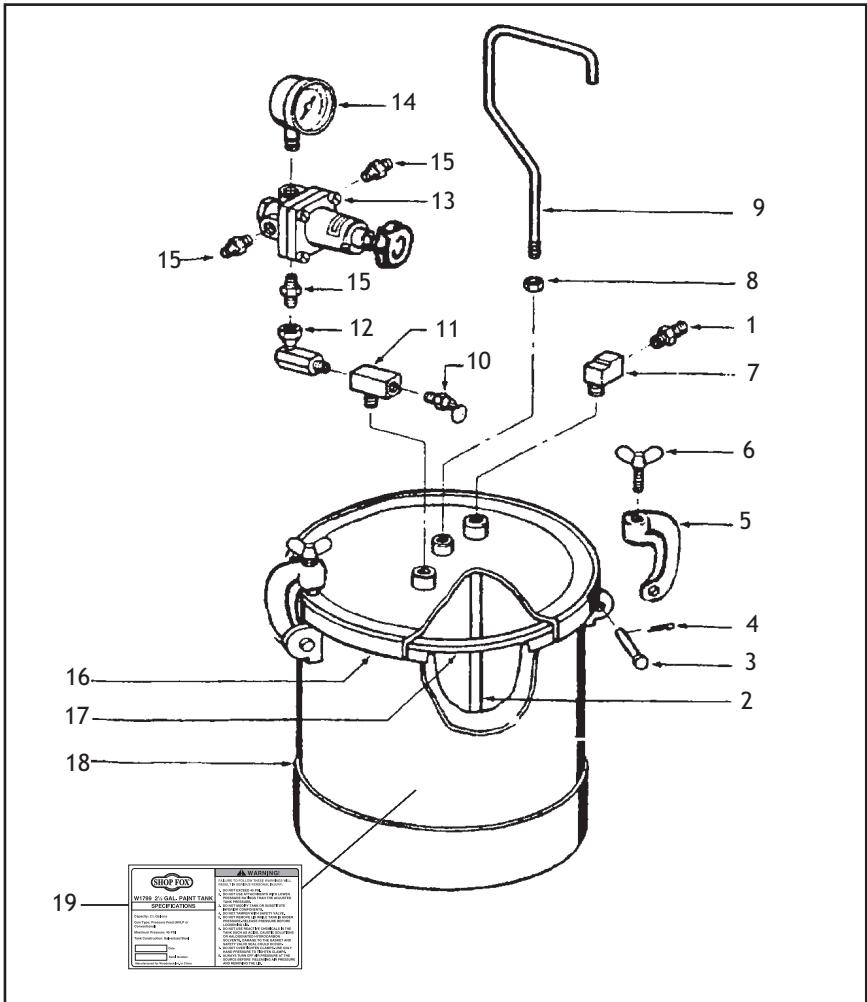
Note: Check with local laws regarding this practice. If you are spraying on a regular basis, spraying solvents into the air may be illegal. A cabinet style spray gun cleaner may be required.

9. Thoroughly rinse all parts that came in contact with the material in solvent, then dry with compressed air or let air dry.
10. Make sure all the fittings on the tank and regulator, valve, and material hose are free of hardened material that could prevent free movement of air.

Troubleshooting

Symptom	Possible Cause	Possible Solution
Air escaping from port on regulating cap.	1. Broken or damaged diaphragm in tank regulator.	1. Replace tank regulator.
Pressure dropping slowly on regulator.	1. Dirty or worn valve seat in regulator.	1. Replace tank regulator.
Fluid or air leak at lid gasket.	1. Defective lid gasket. 2. Wing screw loose.	1. Replace lid gasket. 2. Tighten wing screws.
Paint tends to settle rapidly in tank.	1. Paint not mixed or thinned sufficiently.	1. Mix or thin paint according to manufacturer's instructions.
Gauge not registering air pressure.	1. Air pressure turned OFF . 1. Defective pressure gauge.	1. Turn air pressure ON . 1. Replace pressure gauge.
Safety valve popping off.	1. Tank pressure too high. 2. Defective safety valve.	1. Reduce tank pressure to 20-45 PSI (See Page 7). 2. Replace safety valve.

PARTS LIST



REF PART #	DESCRIPTION
1	X1799001 FLUID OUTLET ADAPTER
2	X1799002 FLUID TUBE
3	X1799003 HINGE PIN
4	X1799004 COTTER PIN
5	X1799005 LID CLAMP
6	X1799006 WING SCREW M10-1.5 X 40
7	X1799007 FLUID OUTLET ADAPTER
8	X1799008 HEX NUT M8-1.25
9	X1799009 HANDLE M8-1.25
10	X1799010 SAFETY VALVE

REF PART #	DESCRIPTION
11	X1799011 BRANCH TREE
12	X1799012 SWIVEL ADAPTER
13	X1799013 REGULATOR
14	X1799014 GAUGE
15	X1799015 ADAPTER
16	X1799016 LID ASSEMBLY
17	X1799017 FLUID TUBE
18	X1799018 TANK SHELL ASSEMBLY
19	X1799019 W1799 ID LABEL

WARRANTY AND RETURNS

Woodstock International, Inc. warrants all Shop Fox machinery to be free of defects from workmanship and materials for a period of two years from the date of original purchase by the original owner. This warranty does not apply to defects due directly or indirectly to misuse, abuse, negligence or accidents, lack of maintenance, or reimbursement of third party expenses incurred.

Woodstock International, Inc. will repair or replace, at its expense and at its option, the Shop Fox machine or machine part which in normal use has proven to be defective, provided that the original owner returns the product prepaid to a Shop Fox factory service center with proof of their purchase of the product within two years, and provides Woodstock International, Inc. reasonable opportunity to verify the alleged defect through inspection. If it is determined there is no defect, or that the defect resulted from causes not within the scope of Woodstock International Inc.'s warranty, then the original owner must bear the cost of storing and returning the product.

This is Woodstock International, Inc.'s sole written warranty and any and all warranties that may be implied by law, including any merchantability or fitness, for any particular purpose, are hereby limited to the duration of this written warranty. We do not warrant that Shop Fox machinery complies with the provisions of any law or acts. In no event shall Woodstock International, Inc.'s liability under this warranty exceed the purchase price paid for the product, and any legal actions brought against Woodstock International, Inc. shall be tried in the State of Washington, County of Whatcom. We shall in no event be liable for death, injuries to persons or property or for incidental, contingent, special or consequential damages arising from the use of our products.

Every effort has been made to ensure that all Shop Fox machinery meets high quality and durability standards. We reserve the right to change specifications at any time because of our commitment to continuously improve the quality of our products.

Warranty Registration

Name _____
 Street _____
 City _____ State _____ Zip _____
 Phone # _____ Email _____ Invoice # _____
 Model # _____ Serial # _____ Dealer Name _____ Purchase Date _____

The following information is given on a voluntary basis. It will be used for marketing purposes to help us develop better products and services. Of course, all information is strictly confidential.

- How did you learn about us?
 Advertisement Local Store
 Mail Order Catalog Other: _____
- How long have you been a woodworker/metalworker?
 0-2 Years 3-5 Years 8-20 Years 20+ Years
- How many of your machines or tools are Shop Fox?
 0-2 3-5 6-9 10+
- Do you think your machine represents a good value? Yes No
- Would you recommend Shop Fox products to a friend? Yes No
- What is your age group?
 20-29 30-39 40-49
 50-59 60-69 70+
- What is your annual household income?
 \$20,000-\$29,000 \$30,000-\$39,000 \$40,000-\$49,000
 \$50,000-\$59,000 \$60,000-\$69,000 \$70,000+
- Which of the following magazines do you subscribe to?

<input type="checkbox"/> Cabinet Maker	<input type="checkbox"/> Popular Mechanics	<input type="checkbox"/> Today's Homeowner
<input type="checkbox"/> Family Handyman	<input type="checkbox"/> Popular Science	<input type="checkbox"/> Wood
<input type="checkbox"/> Hand Loader	<input type="checkbox"/> Popular Woodworking	<input type="checkbox"/> Wooden Boat
<input type="checkbox"/> Handy	<input type="checkbox"/> Practical Homeowner	<input type="checkbox"/> Woodshop News
<input type="checkbox"/> Home Shop Machinist	<input type="checkbox"/> Precision Shooter	<input type="checkbox"/> Woodsmith
<input type="checkbox"/> Journal of Light Cont.	<input type="checkbox"/> Projects in Metal	<input type="checkbox"/> Woodwork
<input type="checkbox"/> Live Steam	<input type="checkbox"/> RC Modeler	<input type="checkbox"/> Woodworker West
<input type="checkbox"/> Model Airplane News	<input type="checkbox"/> Rifle	<input type="checkbox"/> Woodworker's Journal
<input type="checkbox"/> Modeltec	<input type="checkbox"/> Shop Notes	<input type="checkbox"/> Other: _____
<input type="checkbox"/> Old House Journal	<input type="checkbox"/> Shotgun News	
- Comments: _____

CUT ALONG DOTTED LINE

FOLD ALONG DOTTED LINE



WOODSTOCK INTERNATIONAL INC.
P.O. BOX 2309
BELLINGHAM, WA 98227-2309



FOLD ALONG DOTTED LINE

TAPE ALONG EDGES--PLEASE DO NOT STAPLE